

# IC-R1STD Impact Control Guard Rail

H:560 mm



**Impact Control**

# IC-R1STD Impact Control Guard Rail

## H:560 mm

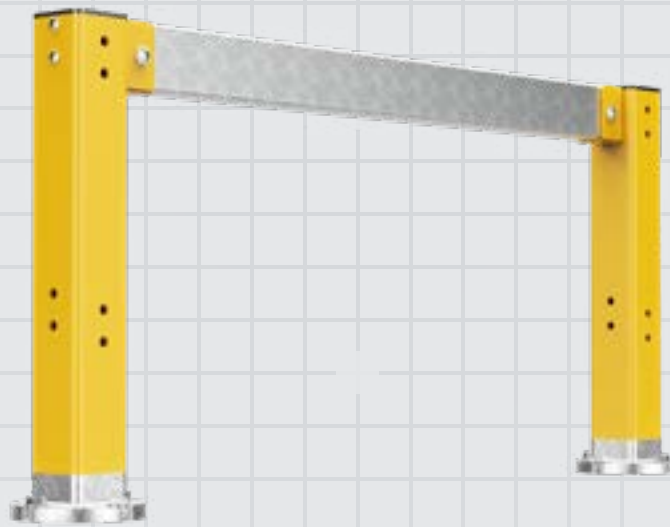
The Impact Control 1R Guard Rail delivers modular, reliable protection for industrial environments - providing defined separation between people, equipment, and traffic zones in areas where rigid performance is required.

### EASY MAINTENANCE, MINIMAL DOWNTIME

Modular components enable fast replacement of individual rails or posts in case of damage - ensuring quick recovery and uninterrupted operations.

### DUAL PROFILE OPTIONS

Available in two profile sizes - 80×40×2.9 mm and 80×80×2.9 mm - the system adapts to different protection demands, from standard applications to higher-impact environments.



### ALL-ENVIRONMENT DURABILITY

Electro-galvanized steel with high-performance powder coating (RAL 1018), providing long-term resistance to corrosion, UV exposure, chemicals, and demanding industrial conditions — with minimal maintenance.

### CLEAR VISUAL & PHYSICAL GUIDANCE

Provides both a visible and physical boundary, helping to organize traffic flow, improve driver awareness, and reduce the risk of unintended contact in active environments.

**Impact Control**

# IC-R1STD Product Specification and Use – H: 960/760/560/360 mm

## MATERIAL PROPERTIES

MATERIAL:	AISI 1020
YIELD STRENGTH:	3.51571e+08 N/m <sup>2</sup>
TENSILE STRENGTH:	4.20507e+08 N/m <sup>2</sup>

## VOLUMETRIC PROPERTIES referring to Bollards only

MASS:	11 kg
-------	-------

## COLOR & COATING



### BOLLARD & BRACKET

RAL1018. Electro-Galvanized + powder coating. According to ISO9001:2015, certified by SGS.



### BASE

Silver (Electro-Galvanized)



### RAIL

Grey. Hot dip galvanized steel. Heavy duty structural finish.

## DIMENSIONS

Height (H):	560 mm	Guard Rail (Standard):	80×40×2.9mm
Bollard Profile:	80×80×5 mm	Guard Rail (HD):	80×80×2.9mm

## TEMPERATURE RATING & INSTALLATION

### TEMPERATURE RATING


-40 to +65° C

### INSTALLATIONS

On top of solid concrete surfaces only

### ELASTOMER MATERIAL

NR (Natural Rubber)  
SVR 3L

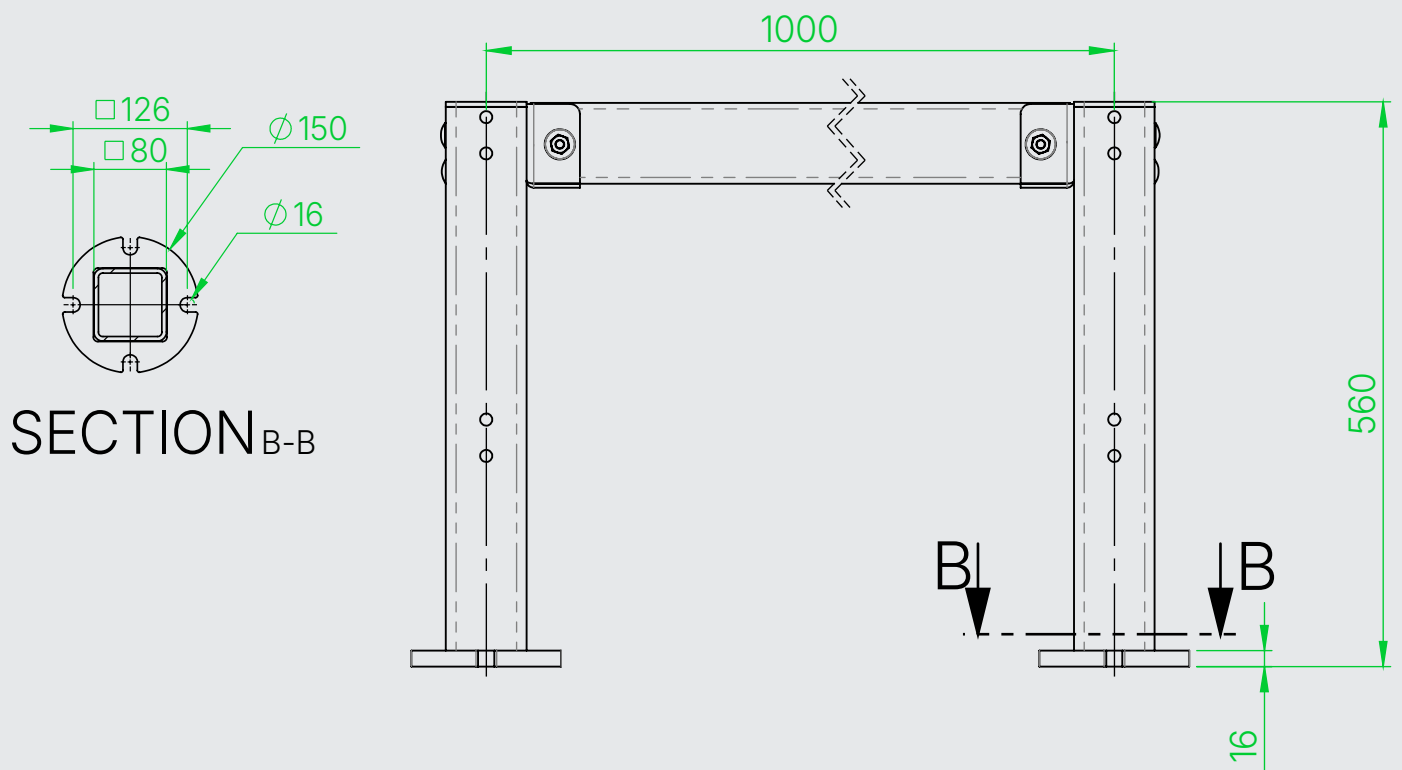
 **Anchor screws:** 12×70 concrete screws

# Impact Control

# IC-R1STD Product Specification and Use – H: 960/760/560/360 mm



## PRODUCT SPECIFICATIONS



**Impact Control**