

IC-R2DYN Dynamic Control Guard Rail

H:400 mm



Impact Control

✉ sales@imp-control.com 🌐 imp-control.com

IC-R2DYN Dynamic Control Guard Rail

H:400 mm

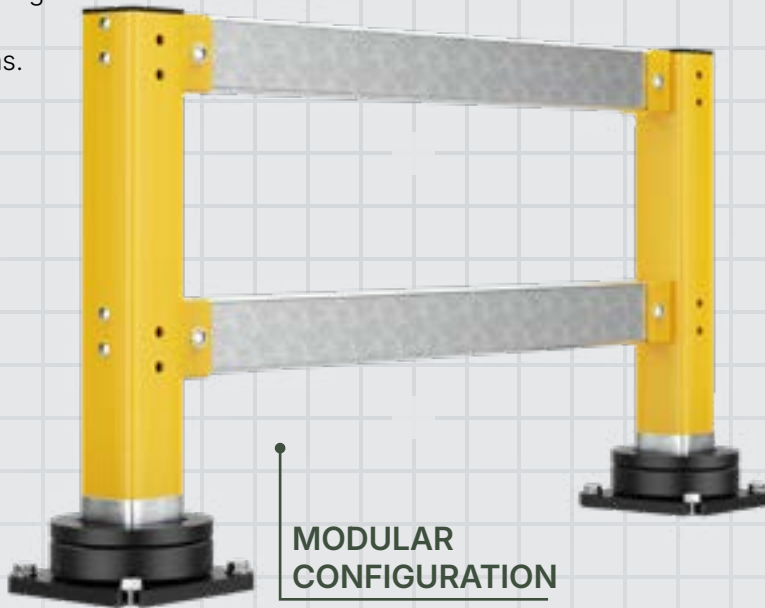
The Impact Control 1R Guard Rail delivers modular, reliable protection for industrial environments - providing defined separation between people, equipment, and traffic zones in areas where rigid performance is required.

EASY MAINTENANCE, MINIMAL DOWNTIME

Modular components enable fast replacement of individual rails or posts in case of damage - ensuring quick recovery and uninterrupted operations.

DUAL PROFILE OPTIONS

Available in two profile sizes - 80×40×2.9 mm and 80×80×2.9 mm - the system adapts to different protection demands, from standard applications to higher-impact environments.



ALL-ENVIRONMENT DURABILITY

Electro-galvanized steel with high-performance powder coating (RAL 1018), providing long-term resistance to corrosion, UV exposure, chemicals, and demanding industrial conditions - with minimal maintenance.

MODULAR CONFIGURATION

The Dynamic Control 1R Guard Rail delivers modular protection, allowing flexible configurations including straight runs, L- and U-shaped layouts, and full perimeter protection around columns and equipment - available in multiple height options to suit varying protection requirements.

CLEAR VISUAL & PHYSICAL GUIDANCE

Provides both a visible and physical boundary, helping to organize traffic flow, improve driver awareness, and reduce the risk of unintended contact in active environments.

Impact Control

IC-R2DYN Product Specification and Use – H: 1000/800/600/400 mm

MATERIAL PROPERTIES

MATERIAL:	AISI 1020
YIELD STRENGTH:	3.51571e+08 N/m ²
TENSILE STRENGTH:	4.20507e+08 N/m ²

VOLUMETRIC PROPERTIES referring to Bollards only

MASS:	10.7 kg
-------	---------

COLOR & COATING



BOLLARD & BRACKET

RAL1018. Electro-Galvanized + powder coating. According to ISO9001:2015, certified by SGS.



BASE

Base: RAL 9005



RAIL

Grey. Hot dip galvanized steel. Heavy duty structural finish.

DIMENSIONS

Height (H):	400 mm	Guard Rail (Standard):	80×40×2.9mm
Bollard Profile:	80×80×5 mm	Guard Rail (HD):	80×80×2.9mm
Base:	195×195×72 mm		

IMPACT RATING referring to Bollards only

2,800J

TEMPERATURE RATING & INSTALLATION

TEMPERATURE RATING


-40 to +65° C

INSTALLATIONS

On top of solid concrete surfaces only

ELASTOMER MATERIAL

NR (Natural Rubber)
SVR 3L

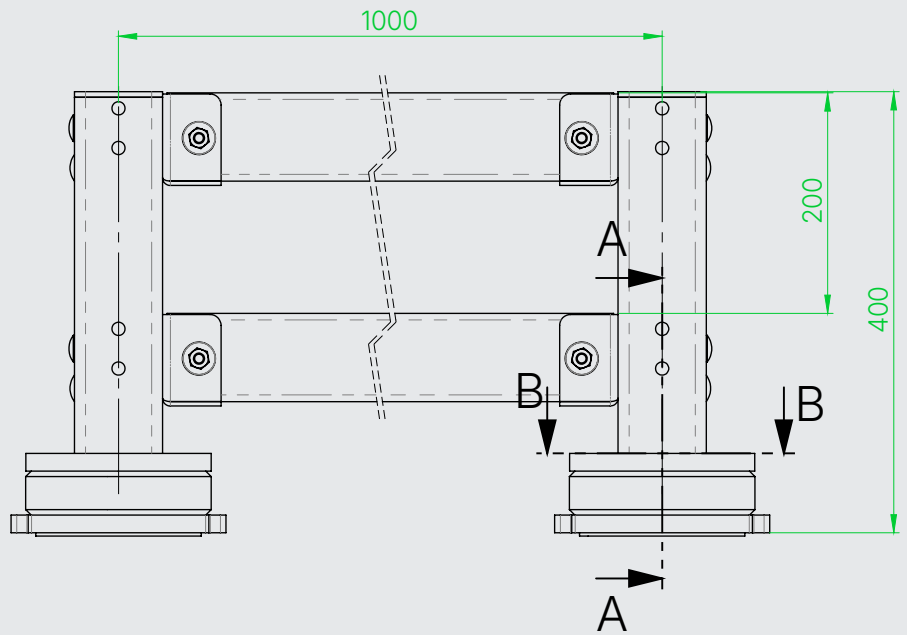
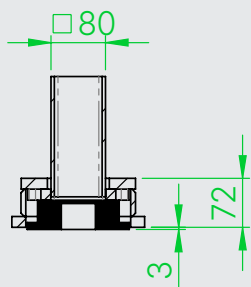
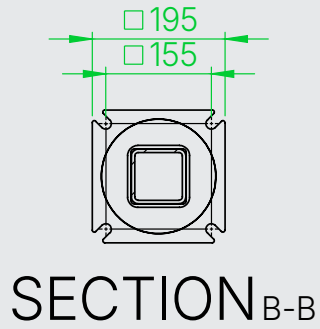
 **Anchor screws:** 14×135 concrete screws

Impact Control

IC-R2DYN Product Specification and Use – H: 1000/800/600/400 mm



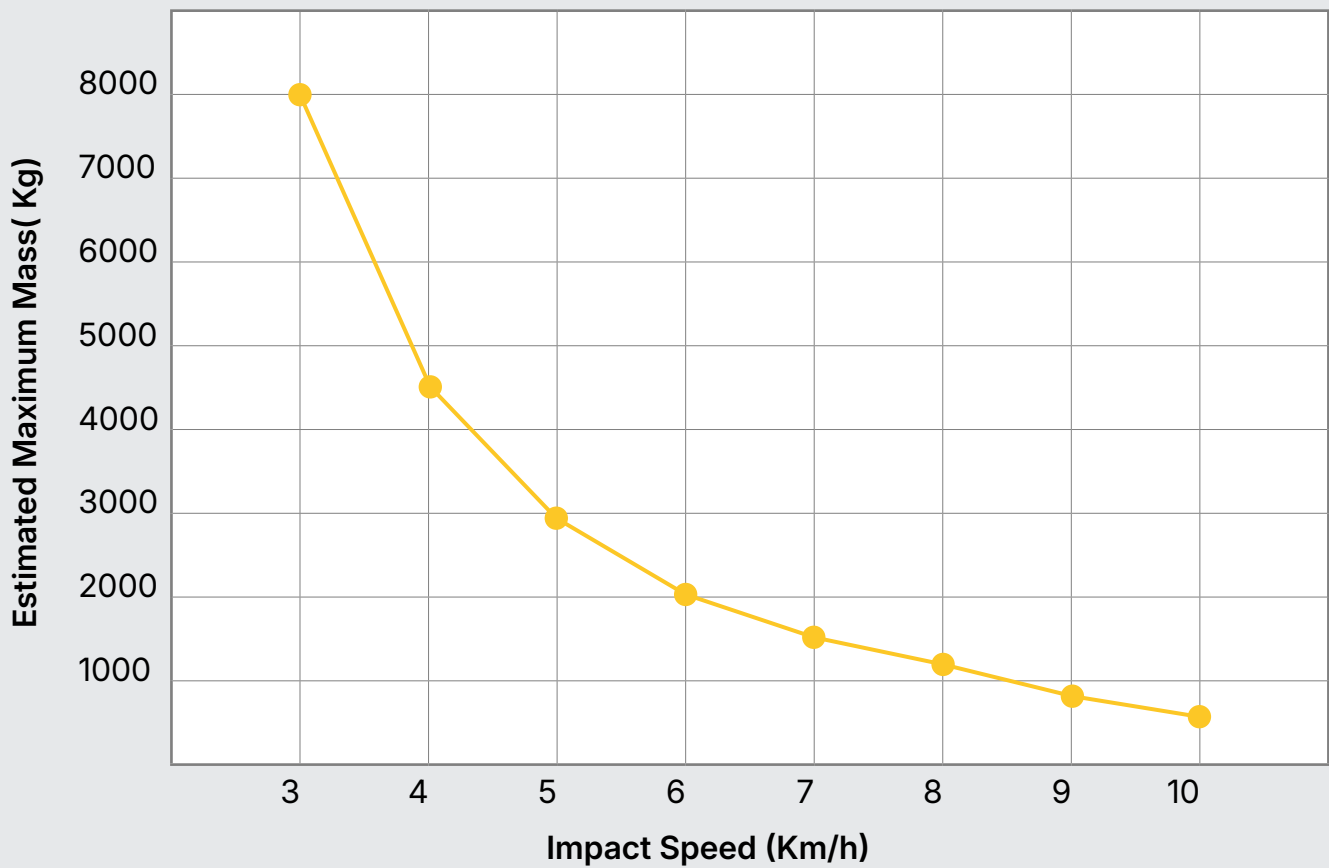
PRODUCT SPECIFICATIONS



Impact Control

IMPACT TEST RESULTS

400 mm Bollard
Impact Height: 200mm Estimated Energy Absorption: 2,800J



Impact Control