

IC-R1DYN Dynamic Control Guard Rail

H:400 mm



Impact Control

✉ sales@imp-control.com 🌐 imp-control.com

IC-R1DYN Dynamic Control Guard Rail

H:400 mm

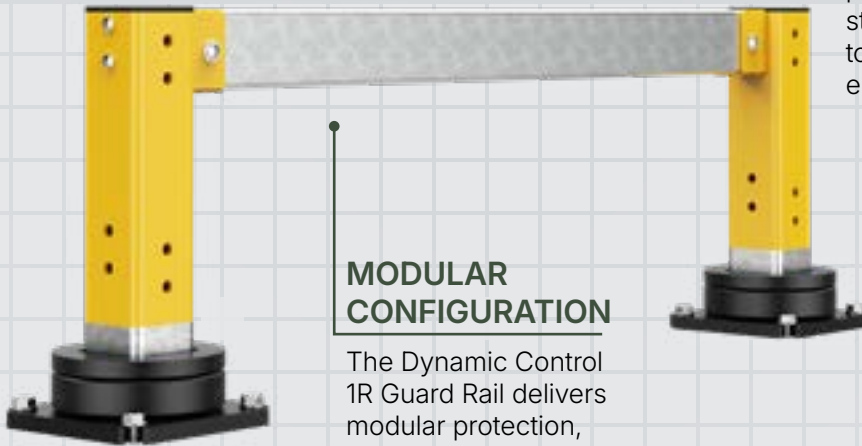
The Dynamic Impact Control 1R Guard Rail delivers modular, high-performance protection for industrial environments - combining controlled energy absorption, flexible configuration, and clear separation between people, equipment, and traffic zones.

EASY MAINTENANCE, MINIMAL DOWNTIME

Modular components enable fast replacement of individual rails or posts in case of damage - ensuring quick recovery and uninterrupted operations.

DUAL PROFILE OPTIONS

Available in two profile sizes - 80×40×2.9 mm and 80×80×2.9 mm - the system adapts to different protection demands, from standard applications to higher-impact environments.



MODULAR CONFIGURATION

The Dynamic Control 1R Guard Rail delivers modular protection, allowing flexible configurations including straight runs, L- and U-shaped layouts, and full perimeter protection around columns and equipment - available in multiple height options to suit varying protection requirements.

ALL-ENVIRONMENT DURABILITY

Electro-galvanized steel with high-performance powder coating (RAL 1018), providing long-term resistance to corrosion, UV exposure, chemicals, and demanding industrial conditions - with minimal maintenance.

CLEAR VISUAL & PHYSICAL GUIDANCE

Provides both a visible and physical boundary, helping to organize traffic flow, improve driver awareness, and reduce the risk of unintended contact in active environments.

Impact Control

IC-R1DYN Product Specification and Use – H: 1000/800/600/400 mm



MATERIAL PROPERTIES

MATERIAL:	AISI 1020
YIELD STRENGTH:	3.51571e+08 N/m ²
TENSILE STRENGTH:	4.20507e+08 N/m ²



VOLUMETRIC PROPERTIES referring to Bollards only

MASS:	10.7 kg
-------	---------



COLOR & COATING



BOLLARD & BRACKET

RAL1018. Electro-Galvanized + powder coating. According to ISO9001:2015, certified by SGS.



BASE

Base: RAL 9005



RAIL

Grey. Hot dip galvanized steel. Heavy duty structural finish.



DIMENSIONS

Height (H):	400 mm	Guard Rail (Standard):	80×40×2.9mm
Bollard Profile:	80×80×5 mm	Guard Rail (HD):	80×80×2.9mm
Base:	195×195×72 mm		



IMPACT RATING referring to Bollards only

2,800J



TEMPERATURE RATING & INSTALLATION

TEMPERATURE RATING

-40 to +65° C

INSTALLATIONS

On top of solid concrete surfaces only

ELASTOMER MATERIAL

NR (Natural Rubber)
SVR 3L

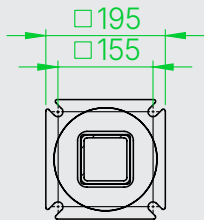


Anchor screws: 14×135 concrete screws

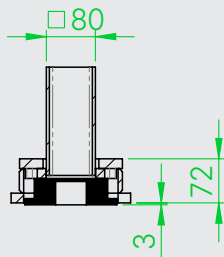
Impact Control



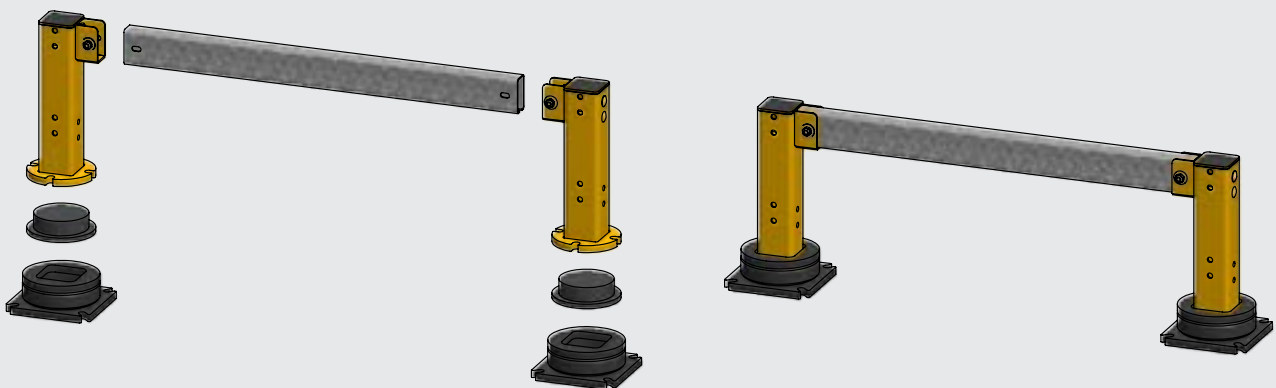
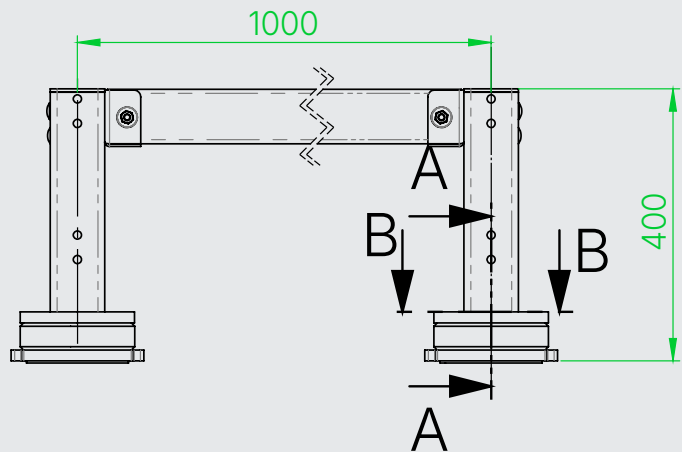
PRODUCT SPECIFICATIONS



SECTION B-B



SECTION A-A

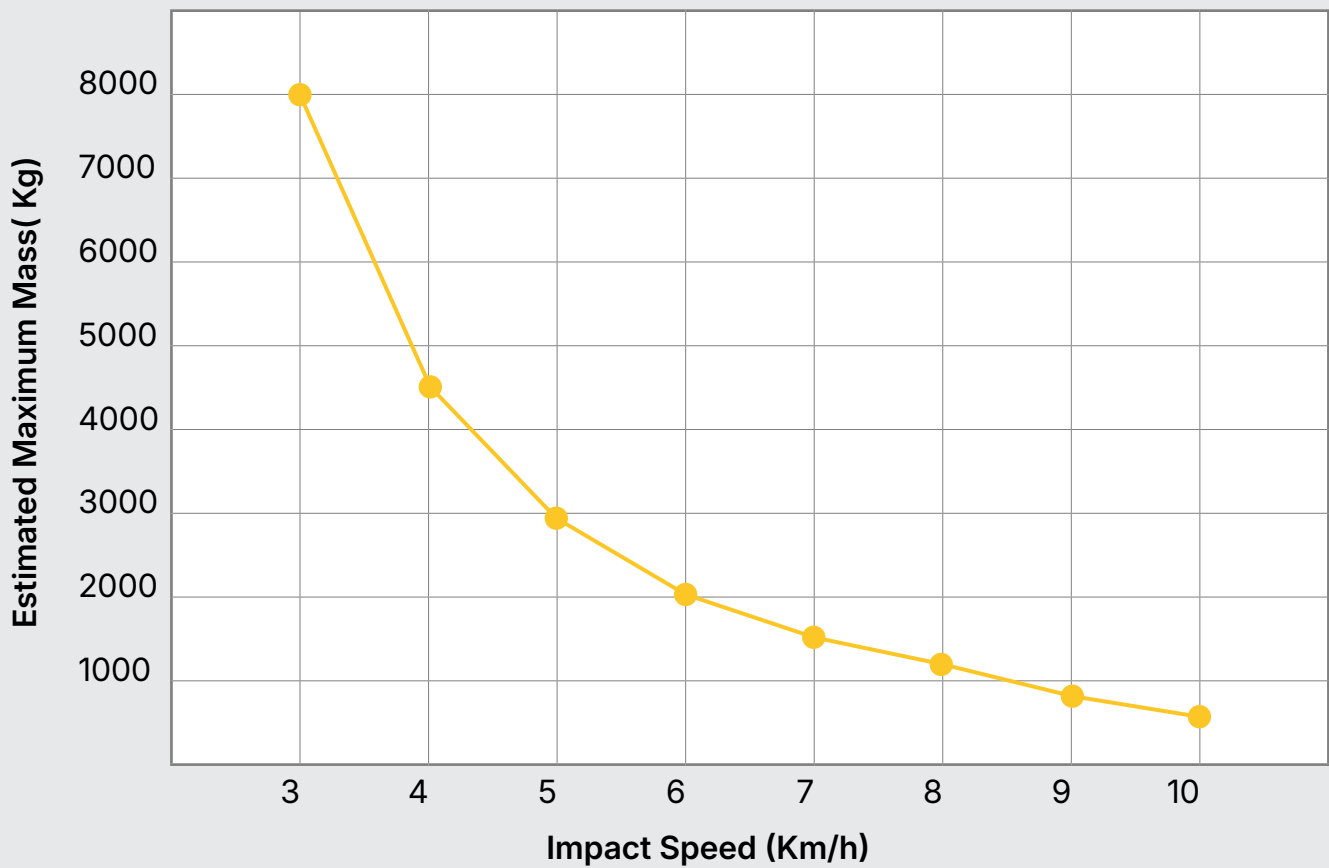


Impact Control



IMPACT TEST RESULTS

400 mm Bollard
Impact Height: 200mm Estimated Energy Absorption: 2,800J



Impact Control