

# IC-R1DYN Dynamic Control Guard Rail

H:1000 mm



**Impact Control**

✉ [sales@imp-control.com](mailto:sales@imp-control.com) 🌐 [imp-control.com](http://imp-control.com)

# IC-R1DYN Dynamic Control Guard Rail

## H:1000 mm

The Dynamic Impact Control 1R Guard Rail delivers modular, high-performance protection for industrial environments - combining controlled energy absorption, flexible configuration, and clear separation between people, equipment, and traffic zones.

### **EASY MAINTENANCE, MINIMAL DOWNTIME**

Modular components enable fast replacement of individual rails or posts in case of damage - ensuring quick recovery and uninterrupted operations.

### **DUAL PROFILE OPTIONS**

Available in two profile sizes - 80×40×2.9 mm and 80×80×2.9 mm - the system adapts to different protection demands, from standard applications to higher-impact environments.

### **MODULAR CONFIGURATION**

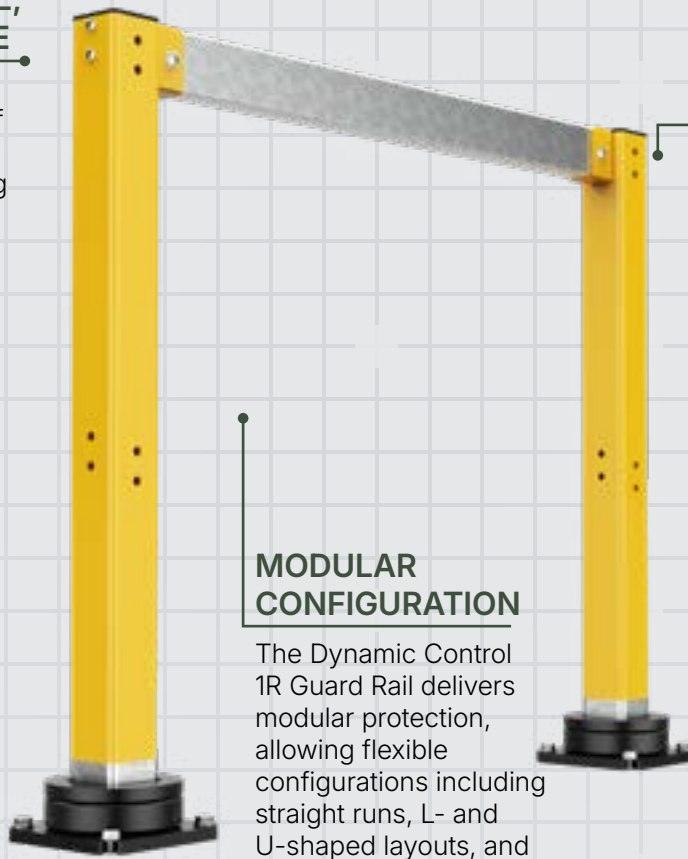
The Dynamic Control 1R Guard Rail delivers modular protection, allowing flexible configurations including straight runs, L- and U-shaped layouts, and full perimeter protection around columns and equipment - available in multiple height options to suit varying protection requirements.

### **ALL-ENVIRONMENT DURABILITY**

Electro-galvanized steel with high-performance powder coating (RAL 1018), providing long-term resistance to corrosion, UV exposure, chemicals, and demanding industrial conditions - with minimal maintenance.

### **CLEAR VISUAL & PHYSICAL GUIDANCE**

Provides both a visible and physical boundary, helping to organize traffic flow, improve driver awareness, and reduce the risk of unintended contact in active environments.



**Impact Control**

# IC-R1DYN Product Specification and Use – H: 1000/800/600/400 mm



## MATERIAL PROPERTIES

MATERIAL:	AISI 1020
YIELD STRENGTH:	3.51571e+08 N/m <sup>2</sup>
TENSILE STRENGTH:	4.20507e+08 N/m <sup>2</sup>



## VOLUMETRIC PROPERTIES referring to Bollards only

MASS:	17.5 kg
-------	---------



## COLOR & COATING



### BOLLARD & BRACKET

RAL1018. Electro-Galvanized + powder coating. According to ISO9001:2015, certified by SGS.



### BASE

Base: RAL 9005



### RAIL

Grey. Hot dip galvanized steel. Heavy duty structural finish.



## DIMENSIONS

Height (H):	1000 mm	Guard Rail (Standard):	80×40×2.9mm
Bollard Profile:	80×80×5 mm	Guard Rail (HD):	80×80×2.9mm
Base:	195×195×72 mm		



## IMPACT RATING referring to Bollards only

1,850J



## TEMPERATURE RATING & INSTALLATION

### TEMPERATURE RATING

-40 to +65° C

### INSTALLATIONS

On top of solid concrete surfaces only

### ELASTOMER MATERIAL

NR (Natural Rubber)  
SVR 3L



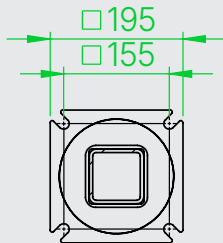
**Anchor screws:** 14×135 concrete screws

# Impact Control

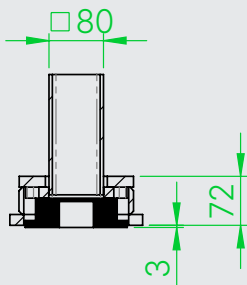
# DY-R1STD Product Specification and Use – H: 1000/800/600/400 mm



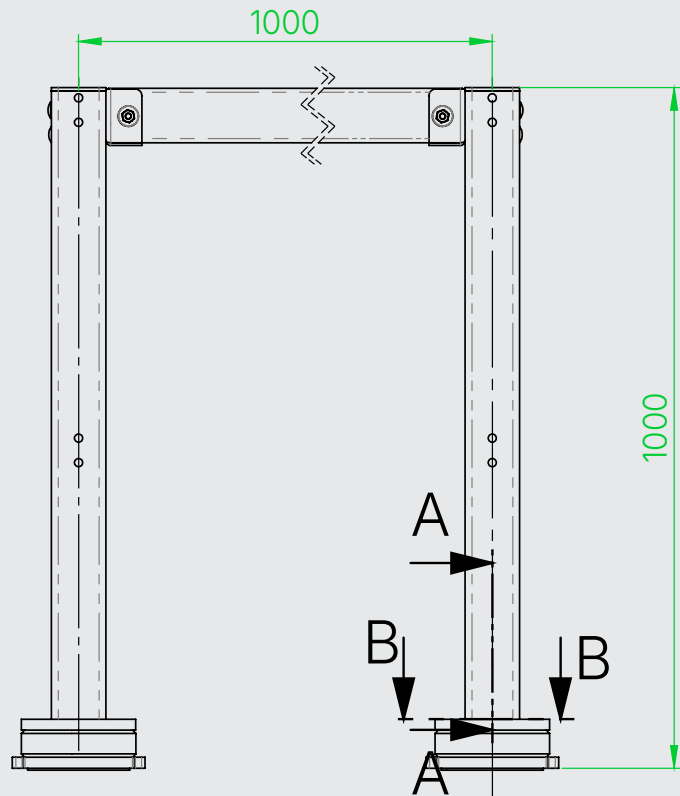
## PRODUCT SPECIFICATIONS



SECTION B-B



SECTION A-A



**Impact Control**



## IMPACT TEST RESULTS

1000 mm Bollard  
Impact Height: 500mm Estimated Energy Absorption: 1,850J

