

# IC-500212 Dynamic Bollard

H:1000 mm



**Impact Control**

# IC-500212 Dynamic Bollard

## H:1000 mm

### ENGINEERED FOR IMPACT CONTROL

The Dynamic Impact Bollard is developed to manage impact forces intelligently - protecting people, equipment, and infrastructure in demanding industrial environments.

#### FORCE MANAGEMENT, NOT JUST RESISTANCE

Rather than stopping impact abruptly, the system controls and redirects forces - reducing stress on anchors, floor slabs, and surrounding structures.

#### STRUCTURAL INTEGRITY FROM THE BASE UP

Engineered to work as a complete system - from foundation interface to upper structure - ensuring consistent performance under repeated impacts.

#### CONFIGURED FOR REAL OPERATIONS

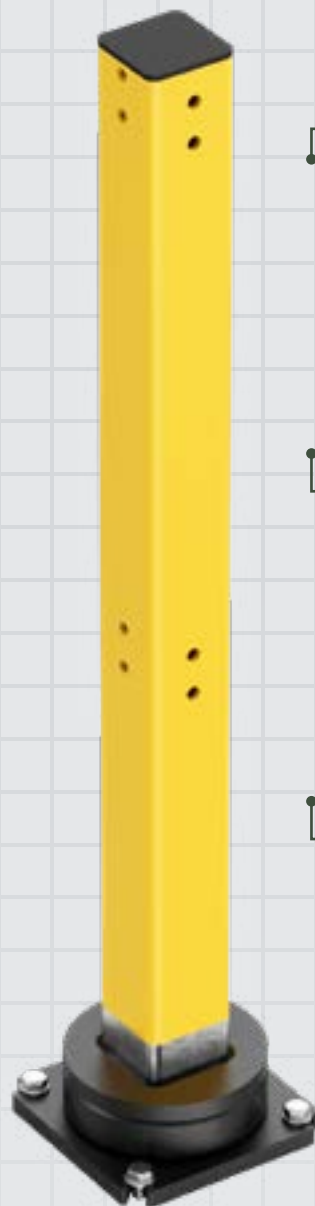
Available in multiple height configurations to match varying traffic conditions, risk levels, and operational requirements.

#### CONTROLLED ANGULAR DEFLECTION

At impact, the base enables a controlled tilt of up to 10°, dissipating kinetic energy and limiting peak force on anchors and infrastructure.

#### ALL-ENVIRONMENT DURABILITY

Electro-galvanized steel with high-performance powder coating (RAL 1018), providing long-term resistance to corrosion, UV exposure, chemicals, and demanding industrial conditions - with minimal maintenance.



**Impact Control**

# IC-500212 Product Specification and Use – H: 1000/800/600/400 mm



## MATERIAL PROPERTIES

MATERIAL:	AISI 1020
YIELD STRENGTH:	3.51571e+08 N/m <sup>2</sup>
TENSILE STRENGTH:	4.20507e+08 N/m <sup>2</sup>



## VOLUMETRIC PROPERTIES referring to Bollards only

MASS:	17.5 kg
-------	---------



## COLOR & COATING



### BOLLARD & BRACKET

RAL1018. Electro-Galvanized + powder coating. According to ISO9001:2015, certified by SGS.



### BASE

Base: RAL 9005



### RAIL

Grey. Hot dip galvanized steel. Heavy duty structural finish.



## DIMENSIONS

Height (H):	1000 mm	Guard Rail (Standard):	80×40×2.9mm
Bollard Profile:	80×80×5 mm	Guard Rail (HD):	80×80×2.9mm
Base:	195×195×72 mm		



## IMPACT RATING referring to Bollards only

1,850J



## TEMPERATURE RATING & INSTALLATION

### TEMPERATURE RATING

-40 to +65° C

### INSTALLATIONS

On top of solid concrete surfaces only

### ELASTOMER MATERIAL

NR (Natural Rubber)  
SVR 3L



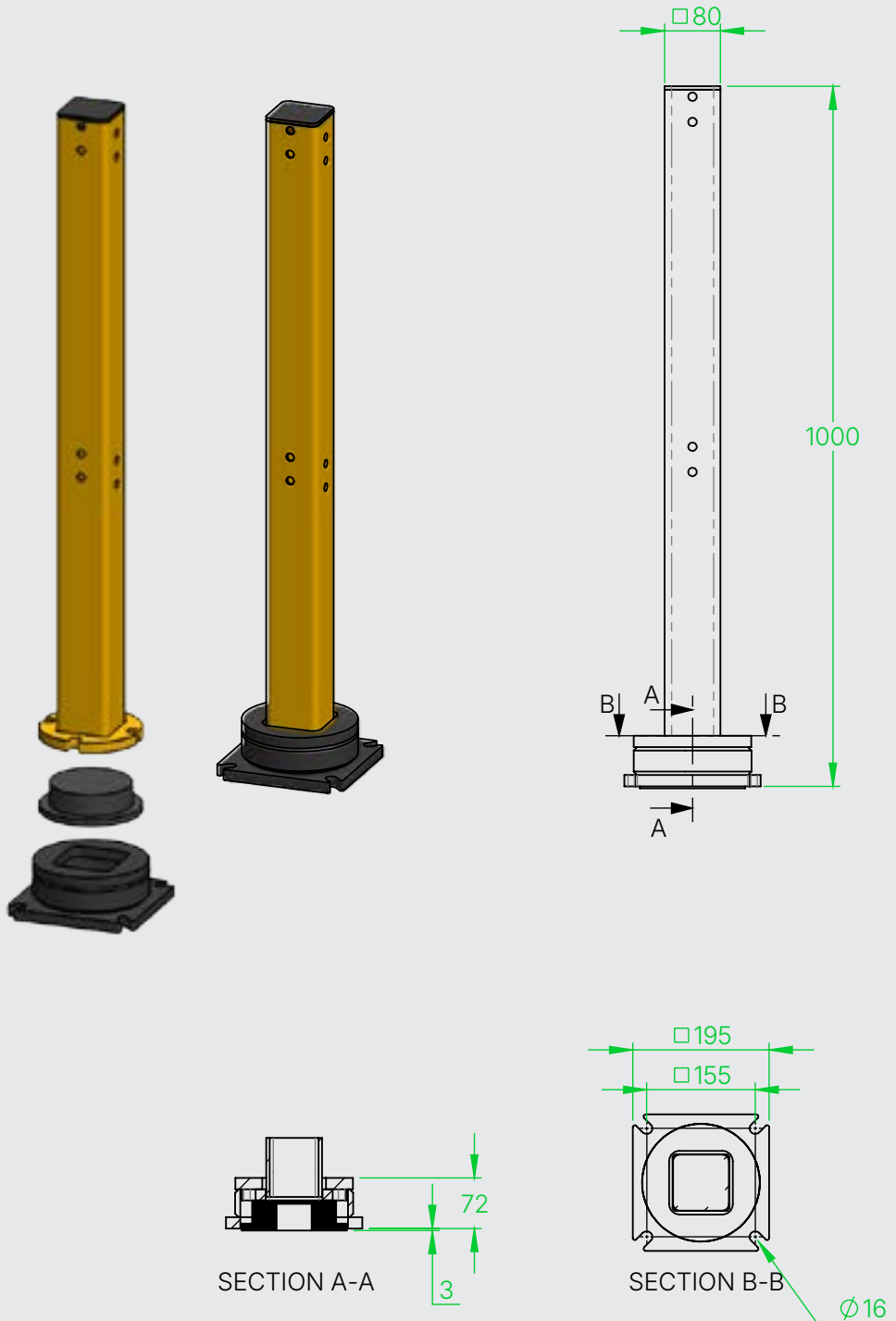
**Anchor screws:** 14×135 concrete screws

# Impact Control

# IC-500212 Product Specification and Use – H: 1000/800/600/400 mm



## PRODUCT SPECIFICATIONS



**Impact Control**



## IMPACT TEST RESULTS

1000 mm Bollard  
Impact Height: 500mm Estimated Energy Absorption: 1,850J

